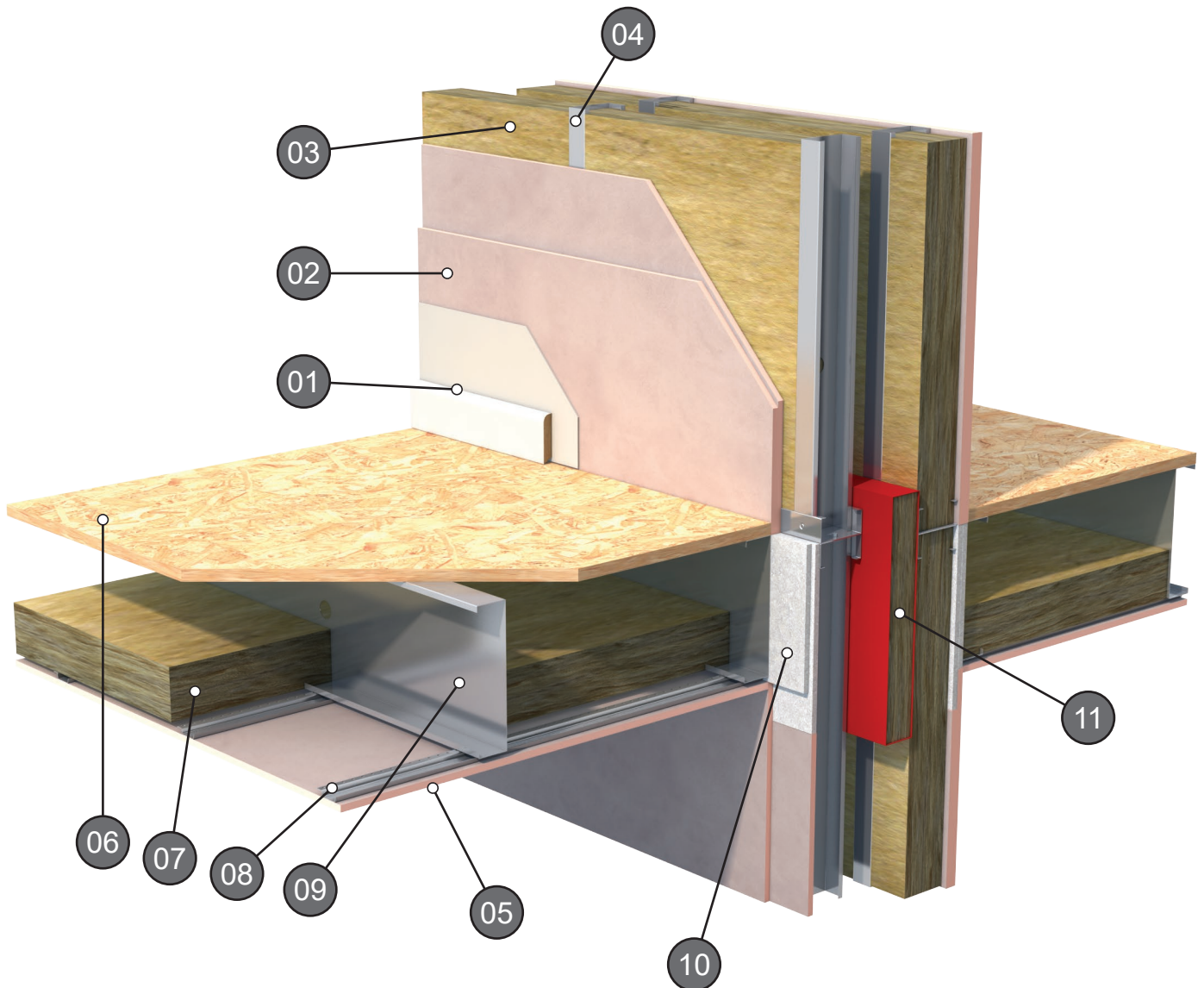


Party Wall Intermediate Floor Detail



01. Selected finish & skirting board.

02. 2 No. layers of 15mm Type F Plasterboard to provide REI 60 Separating wall in accordance with table 4 fire performance requirements.

03. Stone mineral wool insulation.

04. LGS metal stud.

05. 12.5mm Type F plasterboard to provide R 30 REI 15 in accordance with table 4 fire performance requirements.

06. OSB3 or equivalent floor decking.

07. Stone mineral wool insulation.

08. Resilient bar.

09. LGS floor joist

10. 2 No. layers of selected 15mm weatherboard infill with appropriate fire resistance.

11. Proprietary fire stop as required.

Note: all services penetrations in intermediate floor must be fully fire stopped to maintain R 30 REI 15 fire protection.